



26th IUPAC International
Conference on
CHEMICAL THERMODYNAMICS

July 30–August 4, 2023
Osaka, JAPAN

Call for ICCT-2023 Sponsorship

To Whom It May Concern:

The 26th IUPAC International Conference on Chemical Thermodynamics (ICCT-2023) will be held at Senri Life Science Center (Toyonaka City, Osaka Prefecture, Japan) from July 30 (Sunday) to August 4 (Friday), 2023. This is the largest international conference on chemical thermodynamics. The stirring international organization of the conference is the International Association of Chemical Thermodynamics (IACT) and it is co-organized by the Japan Society of Calorimetry and Thermal Analysis (JSCTA) with Science Council of Japan (SCI). The conference is formally endorsed by the International Union of Pure and Applied Chemistry (IUPAC). This is the third time to be held in Japan, following the last in Tsukuba, Japan in 2010. The organizing committee is planning to arrange it based on face-to-face style with 500-600 participants (the style may be changed depending on the COVID-19 situation). Numerous researchers around the world will gather together to discuss cutting-edge research results in a wide range of fields related to the chemical thermodynamics. The sessions related to biological and food products, pharmacy products, liquids and colloidal dispersion systems, polymers and organic compounds, inorganic materials and metals, new apparatus and techniques, and data bases etc. will be held. The ICCT-2023 Organizing Committee wants to ask sponsorship collaboration as is described in this sheet. We prepare three different classes in sponsorship: (Platinum, Gold, and Silver). You can select one class and also any or all of the benefits in each class as an opportunity of advertising of the company or products. We believe that this is an excellent opportunity for you to appeal your products and technologies to world-wide researchers. We sincerely invite you for considering application for the sponsorship and join in the ICCT-2023 in Osaka.

Sincerely

Kazuya Saito
Conference chair

Date: July 30 (Sunday) - August 4 (Friday), 2023

Venue: Senri Life Science Center, 1-4-2 Shinsenrihigashimachi, Toyonaka, Osaka, Japan

Homepage: <https://www.chem.sci.osaka-u.ac.jp/lab/micro/ICCT2023/index.html>



➤ Sponsorship Packages

Class	Sponsor benefits	Fees (incl. tax)
Platinum	<ul style="list-style-type: none"> ■ Sponsor exhibition booth: Rank A (exhibition space for two or more units (negotiable)) ■ Poster Award in the name of the sponsor: "ICCT-2023 ○○○ (sponsor name) Award" (Selection for the Presentation Award will be made by the executive committee. The award will be informed by the chairperson of the executive committee.) ■ Opportunity for Commercial Presentation of the sponsoring company and the products: 15 - 20 minutes ■ Advertising space (A4, 2 pages, color printed) in the Abstract Book (PDF) ■ Advertising space (A4, 1 page, color printed) in the in the program booklet (printed) to be distributed to participants ■ Logo or short banner of the sponsor on the ICCT-2023 website and in the program booklet (printed) ■ Logo of the sponsor on the conference bag to be distributed to participants ■ Video advertisement (approx. 2 minutes) or slide show (approx. 2 minutes) during the break time of the sessions 	165,000 JPY
Gold	<ul style="list-style-type: none"> ■ Sponsor exhibition booth: Rank B (2 units) ■ Opportunity for Commercial Presentation of the sponsoring company and the products: 15 - 20 minutes ■ Advertising space (A4, 1 page, color printed) in the Abstract Book (PDF) ■ Logo or short banner of the sponsor on the ICCT-2023 website and in the program booklet (printed) ■ Logo of the sponsor in the slide show during the break time of the sessions 	110,000 JPY
Silver	<ul style="list-style-type: none"> ■ Sponsor exhibition booth: Rank C (1 unit) ■ Logo of the sponsor in the Abstract Book (PDF) ■ Logo of the sponsor on the ICCT-2023 website and in the program booklet (printed) ■ Logo of the sponsor in the slide show during the break time of the sessions 	55,000 JPY

➤ Sponsorship submission

Please send the Sponsorship Application Form (next page) to the office:

Japan Society of Calorimetry and Thermal Analysis (JSCTA)
 FAX: +81-3-5821-7439
 E-mail: netsu@mbd.nifty.com

Deadline for submission: May 31, 2023 (Wednesday)

*Deadline for sending advertisement data is June 30 (Friday), 2023.

*The type of data required will be notified after the application has been received.

Contact: International Conference on Chemical Thermodynamics Secretariat
 TEL: +81-6-6850-5396
 E-mail: icct2023_office@chem.sci.osaka-u.ac.jp



ICCT-2023 Sponsor Application Form

Sponsoring Company	
Contact name	
Affiliation	
Address	
Phone	
Fax	
E-mail	

➤ Please indicate the sponsorship class and select the benefits (→)

Platinum

Sponsor benefits (multiple selection allowed)

- Sponsor exhibition booth: Rank A (exhibition space for two or more units (negotiable))
- Poster Award in the name of the sponsor: "ICCT-2023 ○○○ (sponsor name) Award"
- Opportunity for Commercial Presentation of the sponsor company and the products: 15 - 20 minutes
- Advertising space (A4, 2 pages, color printed) in the Abstract Book (PDF)
- Advertising space (A4, 1 page, color printed) in the in the program booklet (printed)
- Logo or short banner of the sponsor on the ICCT-2023 website and in the program booklet (printed)
- Logo of the sponsor on the conference bag to be distributed to participants
- Video advertisement (approx. 2 minutes) or slide show (approx. 2 minutes) during the break time of the sessions

Gold

Sponsor benefits (multiple selection allowed)

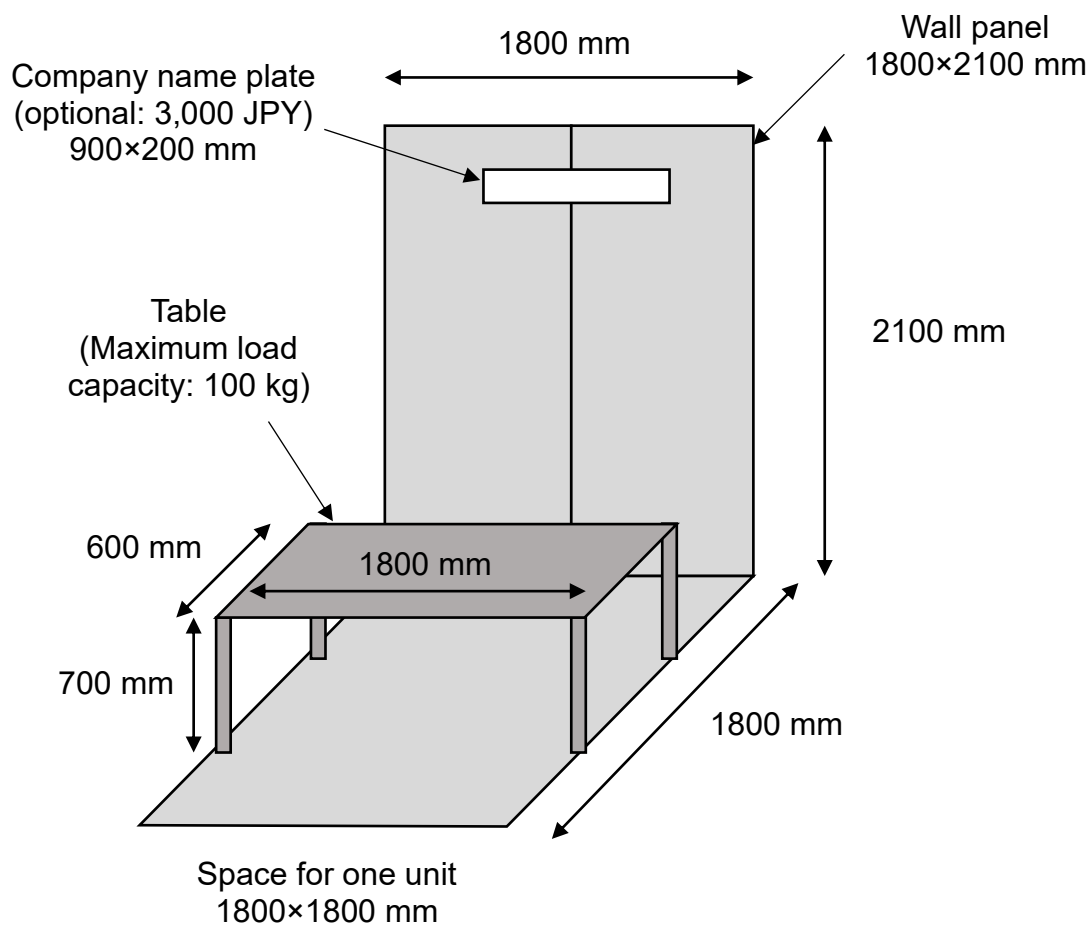
- Sponsor exhibition booth: Rank B (2 units)
- Opportunity for Commercial Presentation of the sponsor company and products: 15 - 20 minutes
- Advertising space (A4, 1 page, color printed) in the Abstract Book (PDF)
- Logo or short banner of the sponsor on the ICCT-2023 website and in the program booklet (printed)
- Logo of the sponsor in the slide show during the break time of the sessions

Silver

Sponsor benefits (multiple selection allowed)

- Sponsor exhibition booth: Rank C (1 unit)
- Logo of the sponsor in the Abstract Book (PDF)
- Logo of the sponsor on the ICCT-2023 website and in the program booklet (printed)
- Logo of the sponsor in the slide show during the break time of the sessions

➤ Information: exhibition space for one unit



- Exhibition space of one unit: 1800×1800 mm
- Electric power source (free of charge): Single-phase AC 100 V
* PC and tablet can be used.
* For the machine demonstration, additional EPS setting is required (available for a charge, negotiable).
- A set of wall panel (free of charge): 1800×2100 mm, posters can be stuck with thumbtacks.
- A table (free of charge): 600×1800×700 mm, maximum loading capacity 10 kg
- A piece of table cloth (free of charge): 900×1800 mm
- A company name plate (available for a charge): 900×200 mm, 3,000 JPY